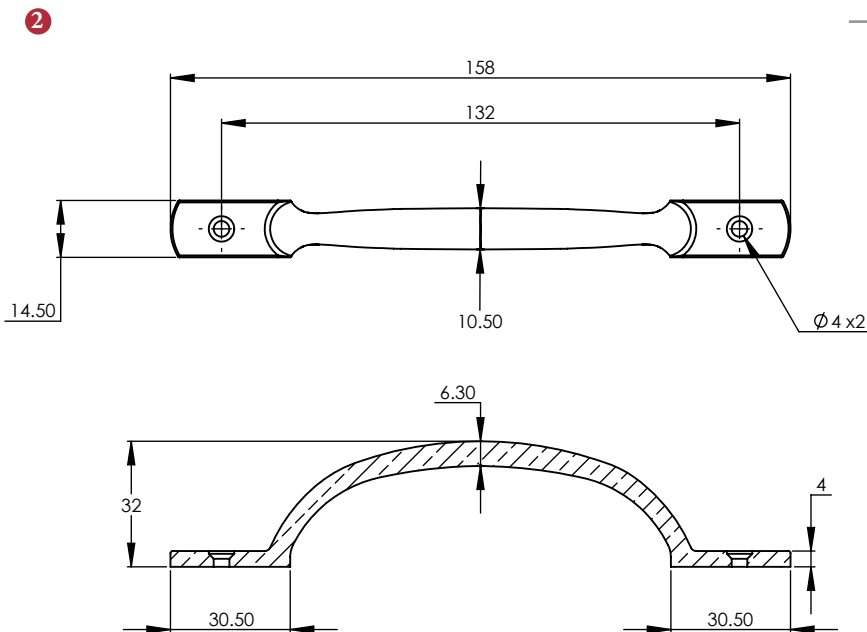



Solid Bronze Rustic


DOOR & CABINET HARDWARE

RPW1090 6" CABINET PULL RUSSELL DESIGN



2 Dimensions:
see the outlines given above

3  Steel starter screw x 1pc
Drill pilot holes, use the starter screw to cut a thread

 Brass wood screws x 2pc
Fasten the wood screws into the pilot holes

| | | | |
|-----------------|-----------------------|-----------------------------------|--|
| Box Contains | 1 | 2 | 3 |
| | Sash Pull illustrated | General dimension of Sash Pull | Supplied with: 1x Steel starter screw 2x Brass wood screws |



M Marcus Ltd., Dudley

| Product Code | Material | Description | Sizes shown are in mm and approximate. We reserve the right to amend where necessary and without any prior notice. |
|--------------|--------------|-----------------------------------|--|
| RPW1090 158 | Solid Bronze | Sash Pull in Rustic Pewter finish | |