

Solid Bronze Rustic

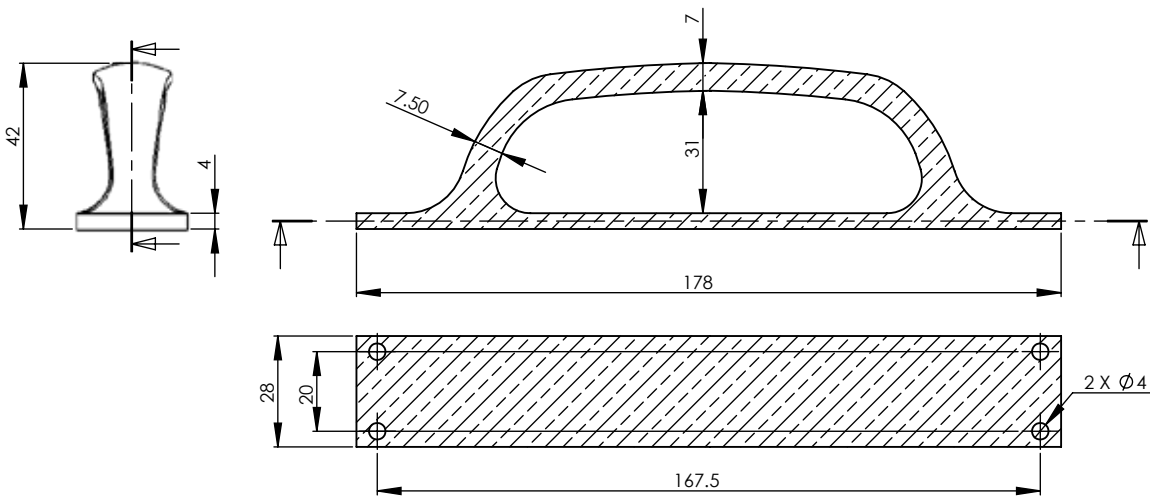
DOOR & CABINET HARDWARE

SOLID BRONZE RUSTIC CABINET PULL HANDLE ON PLATE



2

1



2

Dimensions:
see the outlines given above

3



Brass wood screws x 4pc

1

Cabinet Pull illustrated

2

General dimension of
Cabinet Pull

3

Supplied with:
4x 19mm Brass wood screws

Box
Contains



M Marcus Ltd., Dudley

Product Code	Material	Description	Sizes shown are in mm and approximate. We reserve the right to amend where necessary and without any prior notice.
RDB1142 178	Solid Bronze	Rustic Bronze Cabinet Pull Handle on Plate	