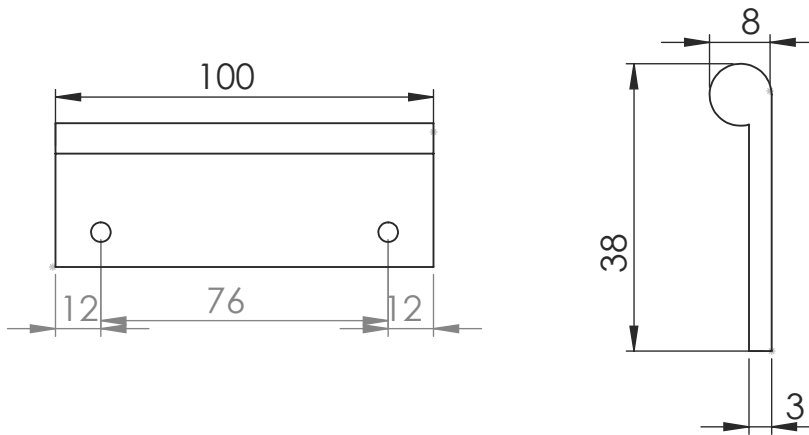


EP100 38 CABINET EDGE PULLS



2

1



2 Dimensions: see the outlines given above

3  2 x Brass Screw

FINISHES

-  Matt Bronze finish
-  Satin Brass finish
-  Polished Nickel finish
-  Satin Nickel finish
-  Antique Brass finish
-  Satin Chrome finish
-  Polished Brass finish
-  Polished Chrome finish

Overview

1 Edge Pull illustrated

2 (General dimensions of Edge Pull)

3 Supplied with: 2 x 19mm Brass Screws


M Marcus Ltd., Dudley

Product Code

EP100 38

Material

Solid Brass

Sizes shown are in mm and approximate. We reserve the right to amend where necessary and without any prior notice.